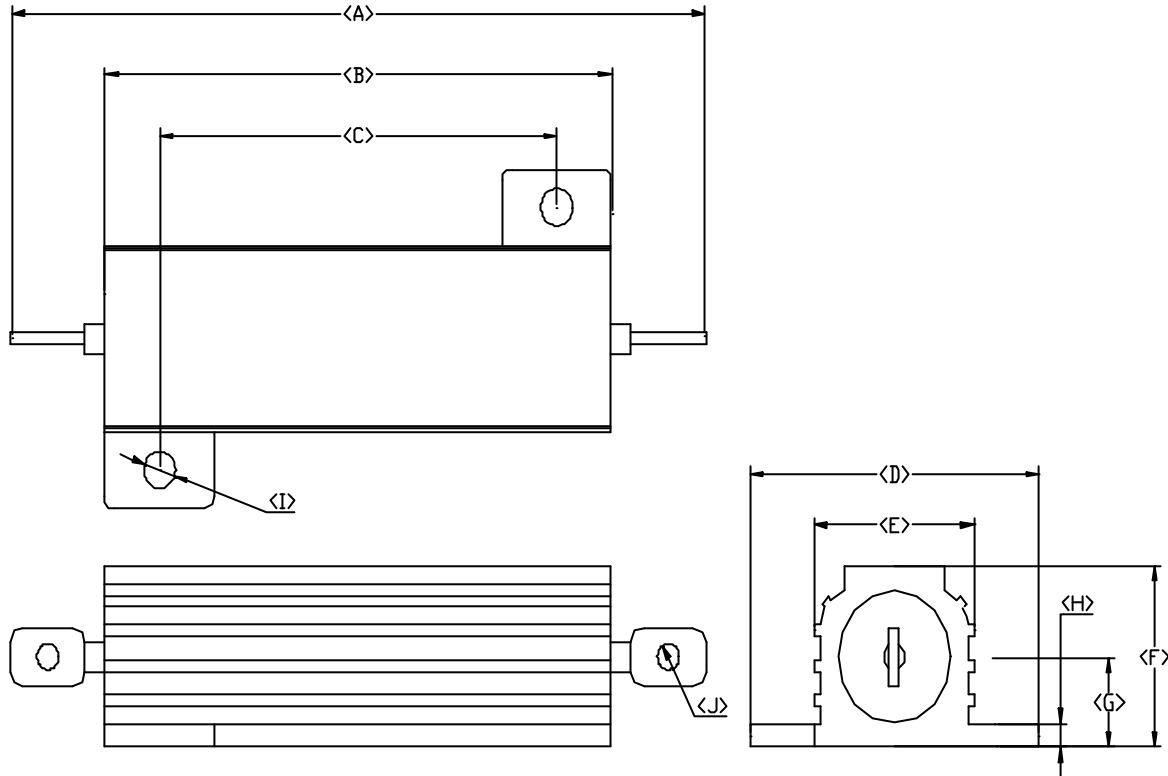


Aluminum Wire Wound Resistors

RH Series



SPEC.

定格電 (W) Power Rating	尺寸 Dimensions (mm)										電阻值範圍 Resistance Range
	A±	B±	C±0.8	D±0.1	E±0.1	F±0.1	G±	H±0.2	I±0.3	J±0.1	
RH-5W	25	15.3	11.3	16.5	8.5	8.2	2.2	1.6	2.4	2.2	0.01~5K
RH-10W	29	19	14.3	20.4	11	10	5	2	2	2.2	0.01~10K
RH-25W	53	27.5	18.6	27	14.9	14.9	6.5	2.2	3.2	2.2	0.01~25K
RH-50W	70	51	39.2	29.2	16	15.5	7	2	3.2	2.2	0.01~50K