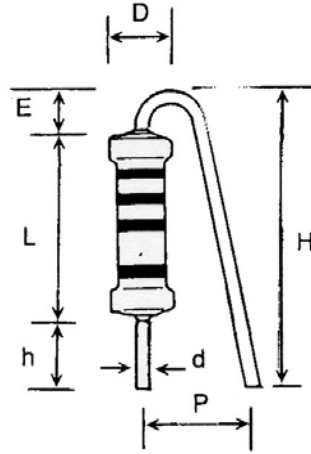


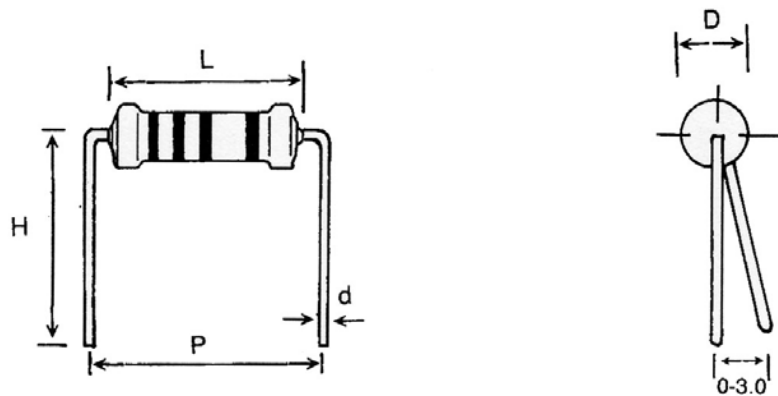
Resistors Dimension

F-TYPE FORMING DIMENSIONS



RATED WATTS	DIMENSIONS (mm)						
	$L \pm 0.5$	P	$D \pm 0.5$	$d \pm 0.05$	$h \pm 1$	H max	E max
1W (2WS)	11.0	5~7	4.5	0.8	5.0	20	3.5
2W (3WS)	15.0	5~7	5.0	0.8	5.0	25	3.5
3W (5WS)	24.0	6	8.0	0.8	5.0	35	3.5
5W	24.0	6	8.0	0.8	5.0	35	3.5

M-TYPE FORMING DIMENSIONS



RATED WATTS	DIMENSIONS (mm)				
	$L \pm 0.5$	$P \pm 0.5$	$D \pm 0.5$	$d \pm 0.05$	$H \pm 1$
1/8W	3.3	6.0	2.0	0.48	6.0
1/4W (1/2WS)	6.3	10.0	2.3	0.60	10.0
1/2W (1WS)	9.0	12.5	3.2	0.60	10.0
1W (2WS)	11.0	15.0	4.5	0.80	12.5
2W (3WS)	15.0	20.0	5.0	0.80	15.0
3W-M	17.0	25.0	6.0	0.80	15.0